

AMM concentrator data supply kit



AMM concentrator data supply kit (K716)



P070

Application

This kit is designed for the installation of an AMM (Automatic Meter Management) data concentrator in a LV/MV transformer or on a pole depending on the type of network (underground or overhead). These products supply and protect the concentrator.

Description

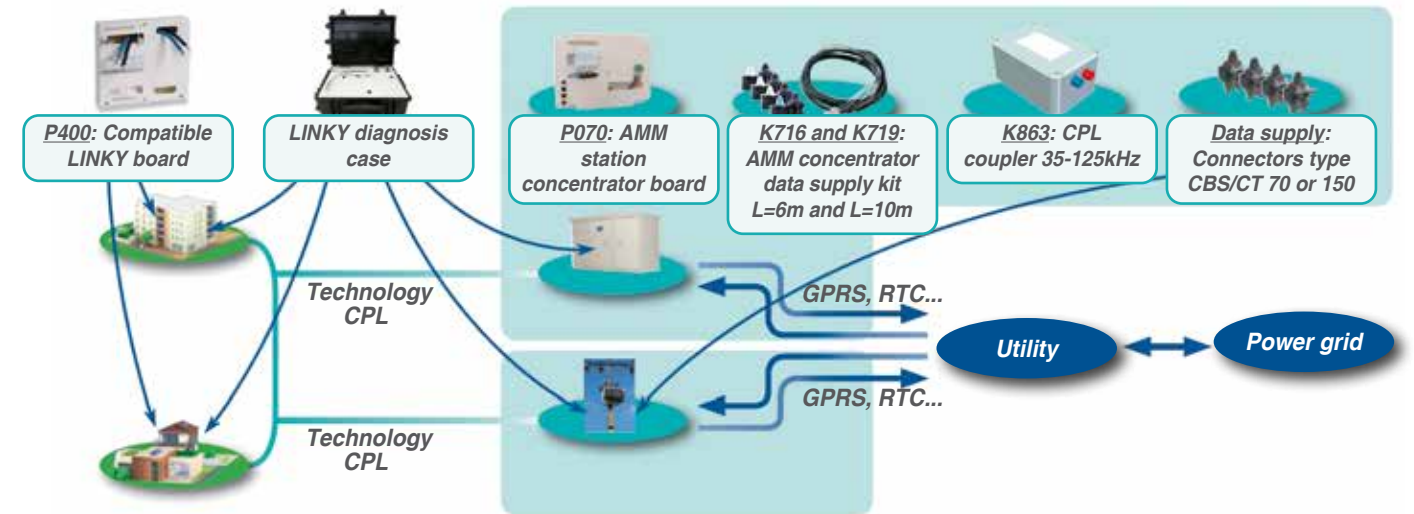
To facilitate the use and management, these products are supplied in packs:

For LV/MV underground stations: Pack Alim L6000 + AMM station connector board

This pack comprises the following elements:

- 1 AMM station concentrator board (P070) of dimensions 377x281 equipped with:
 - 1 DIN rail on which a three phase cutout is fixed
 - 4 links 2.5mm² for the cutout and concentrator connection through a pluggable service end. The concentrator board is delivered with 3 fuses cartridges size 10.3x38, gauge 2A, a neutral tube and 3 screws pre-screwed on the connector board ensuring the concentrator fixing.
- 1 AMM concentrator data supply kit L=6M (K716) or L=10M (K719) comprising:
 - 3 phase connectors and 1 neutral insulation piercing connector with integrated removable fuse protection (3P+1N), 3 fuses size 10x38, rated 10A and a neutral tube.
 - 1 connection link of 6 or 10 meters (depending on the type) between connectors and the concentrator board cutout. It is equipped with quick connection plug on the connectors side end.

Installation



* LINKY: French electricity board Erdf electronic Smart Meter.
For the references P400 and K863, contact us.

| Code | Designation | Weight (kg) | Sales unit |
|------|--|-------------|------------|
| K716 | AMM CONCENTRATOR DATA SUPPLY KIT + LINKING CABLE L=6m | 2.000 | 1 |
| K719 | AMM CONCENTRATOR DATA SUPPLY KIT + LINKING CABLE L=10m | 2.400 | 1 |
| P070 | AMM STATION CONCENTRATOR BOARD | 1.350 | 1 |

Accessories

SEE SHEET
OVERHEAD / Service connector